

Part number

CSEF 06



Brief description:

female insert, 6 poles + PE, spring terminal connections , 16A, 500V, 6kV, 3, silver plated, size "44.27", CLASS insert series

Product description

Model	female insert
Version	spring terminal connections
Series	CSE
Product type	with female contacts
Family	CLASS inserts
Size	size "44.27"
N. of poles	6 poles +

Technical data

Current	16 A (A.C. and D.C.)
Voltage	500 V
Rated impulse withstand voltage	6kV
Pollution degree	3
Wire cross-section	0,14 mm ² - 2,50 mm ²
AWG size	26 - 14
Operating temperature range (min, max)	-40°C ... +125°C
Contact type	silver plated
Mating cycles	≥ 500
IP degree of protection	IP20 without enclosure; IP65/IP66/IP67/IP68 with enclosure
PE terminal stripping length	7 mm
PE wire cross-section	0,14 - 4 mm ² ; AWG 20 - 12

Further technical details

Characteristics according to EN 61984	16A 500V 6kV 3; 16A 400/690V 6kV 2
Insulation resistance	≥ 10 GΩ
Contact resistance	≤ 0,3 mΩ
Rated voltage according to UL/CSA	600V
UL 94 flammability rating	V-0
Weight	55,00 g

Approvals / Standards

Reference standard	EN 61984 (2001-11)
Quality mark	, EAC
Conformity	CQC, CE

General ordering information

EAN13 code	8015747094399
Tariff number	85369095
Country of origin	Made in EU (IT)
ETIM classification	EC000438

Packaging Information

Packaging length	210,00 mm
Packaging height	130,00 mm
Packaging width	240,00 mm
Packaging weight	3,30 kg
Packaging volume	6,55 dm ³
Packaging description	Carton box
Packaging quantity	60 Pcs
Packaging EAN code	8015747094405
Sub-packaging length	197,00 mm
Sub-packaging height	35,00 mm
Sub-packaging width	113,00 mm
Sub-packaging weight	0,55 kg
Sub-packaging volume	0,78 dm ³
Sub-packaging description	Carton
Sub-packaging quantity	10 Pcs
Sub-packaging EAN barcode	8015747094412

Part number

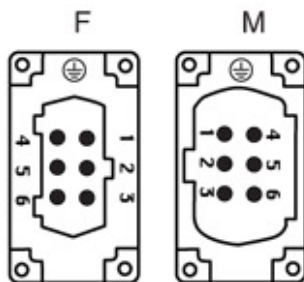
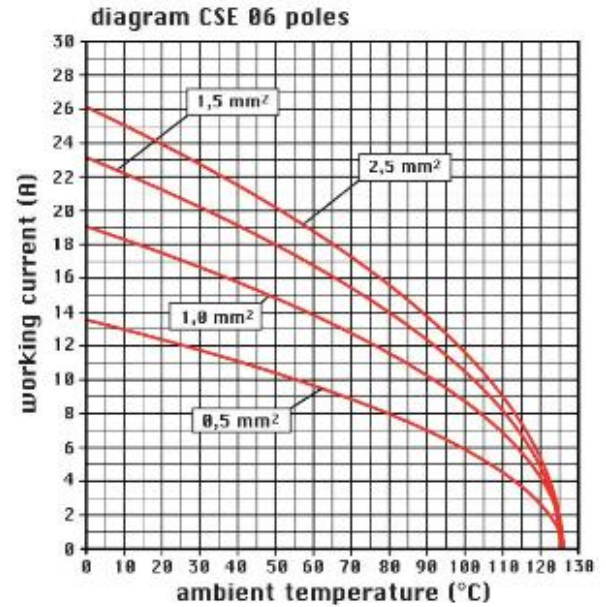
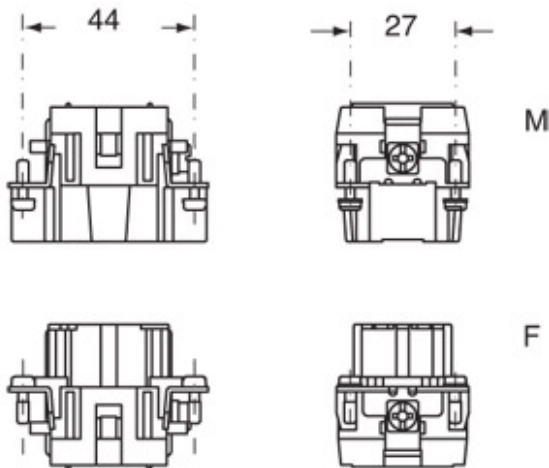
CSEF 06



Catalogue drawings

Catalogue drawings

CSEF / CSEM 06



Notes

CSEF/M 06 inserts:

- characteristics according to EN 61984:
(16A 500V 6kV 3)
(16A 400/690V 6kV 2)
- rated voltage according to UL/CSA: 600V
- insulation resistance: > 10 GOhm
- ambient temperature limit: -40 °C ... +125 °C
- are made of self-extinguishing thermoplastic resin UL 94 V0
- mechanical life: > 500 cycles

- contact resistance: < 3 mOhm
- enclosures: size "44.27":
C-TYPE IP65/IP66
C7 IP67 stainless steel lever
V-TYPE IP65/IP66
stainless steel lever
T-TYPE IP65 insulating
JEI zinc-plated steel lever
BIG hoods
W-TYPE aggressive environments

EMC
central lever
IP68
- panel supports:
COB
